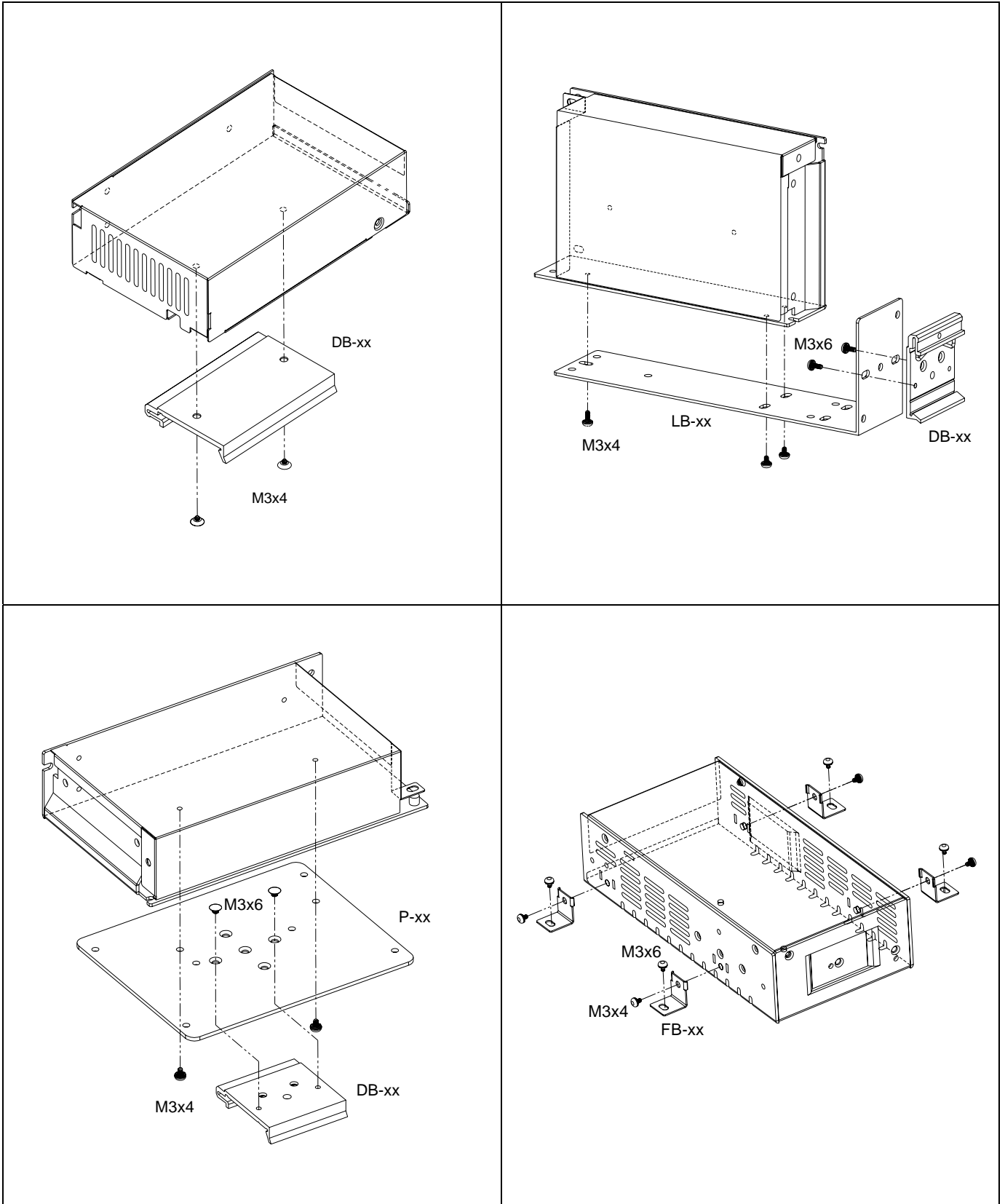


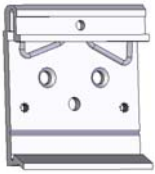
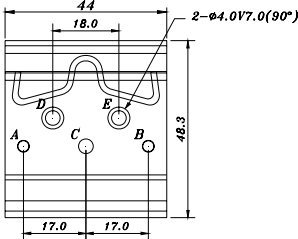
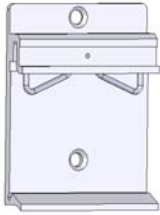
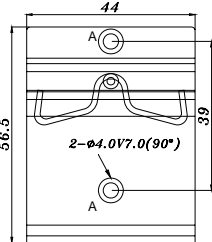
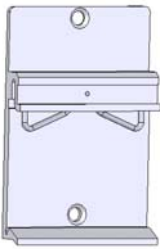
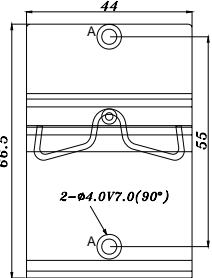
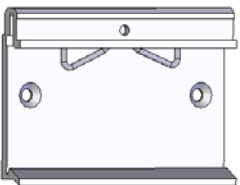
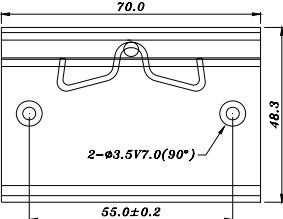
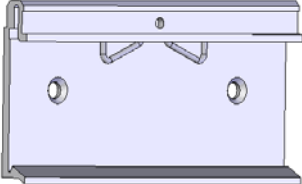
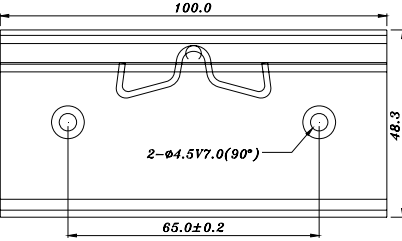
DIN RAIL AND BRACKET

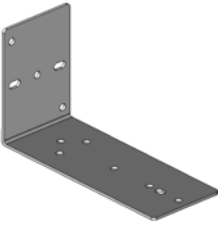
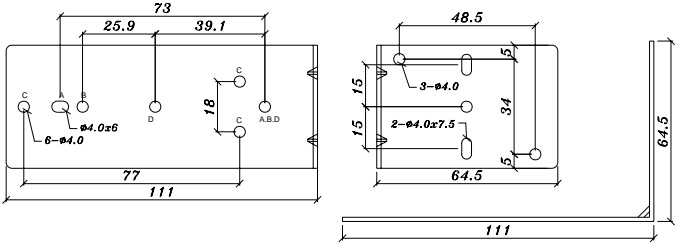
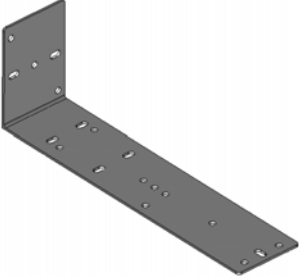
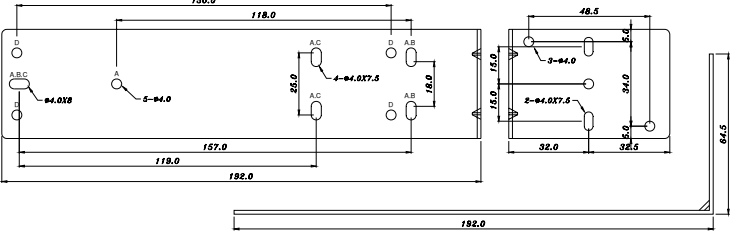
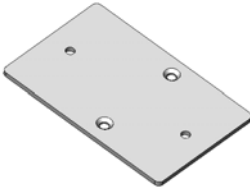
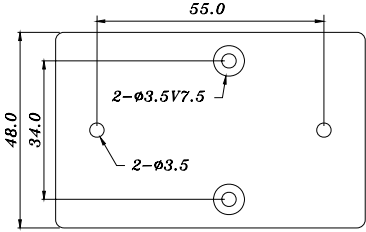
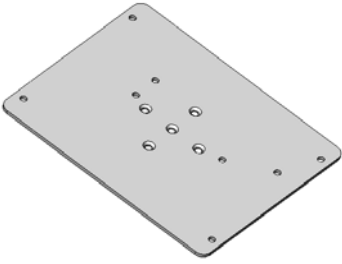
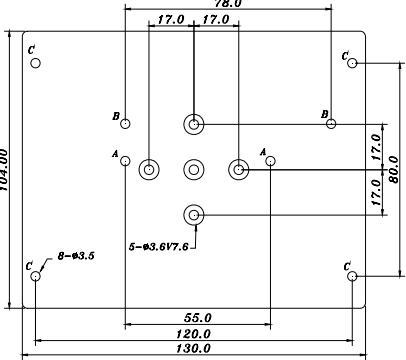
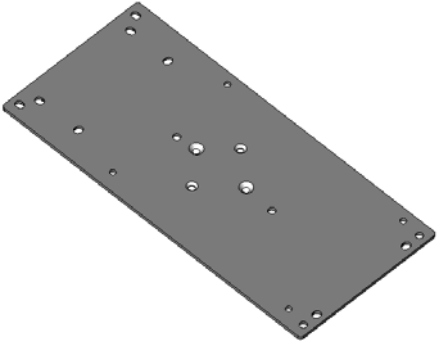
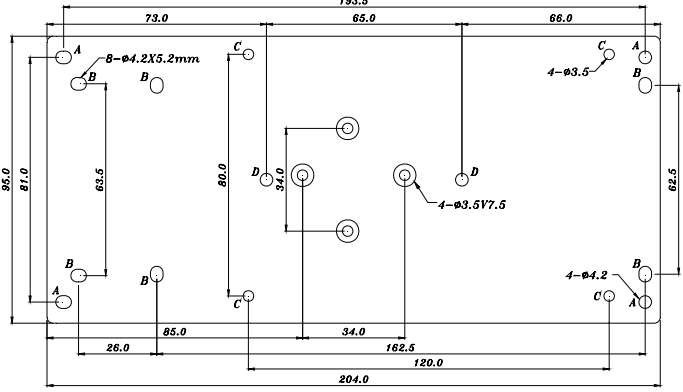
Bracket No.: Model No. (By Series)	Bracket No.:													
	DB-01	DB-02	DB-03	DB-04	DB-05	DB-01 + LB-01	DB-01 + LB-02	FB-01	FB-02	FB-03	DB-01 + P-01	DB-01 + P-02	DB-01 + P-03	
SPS-G015 / 015		▲				◎								
SPS-025	▲		▲	▲	◎	◎								
SPS-G025			▲	▲	◎	◎					▲			
SPS-035 / SDS-035			▲	▲		◎					▲	▲		
SPS-050 / S060 SPS-G050			▲	▲		◎					▲	▲		
SPS-M070 / SPS-M070-Dx	◎		▲	▲		◎					▲	▲		
SPS-G075	◎					◎								
SPS-060 / 070 / 075 / G 075 SDS-060	◎						◎					▲		
SPS-100 / 110 / G150 SDS-100	◎						◎					▲		
SPS-120P	◎		▲	▲			◎	◎			▲	▲		
SPS-150P / SDS-150					▲		◎		◎				▲	
SPS-151P	◎		▲	▲			◎		◎		▲	▲		
SPS-220P / 230P / SDS-230					▲		◎		◎				▲	
SPS-350P / SDS-320							◎		◎					
SPS-210 / SPS-375									◎					
SPS-600P / 750P									◎					
SPS-1000P										◎				
SPU-150 / SDU-150													▲	
SPU-300 / SDU-300													▲	


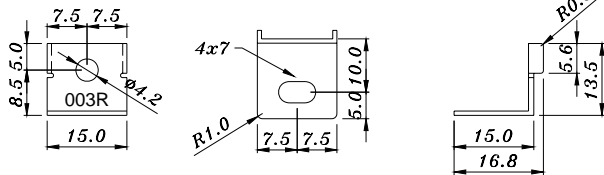

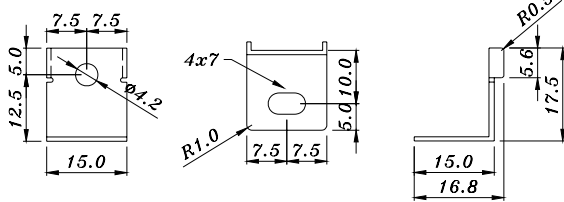
◎ Means the bracket is used on the side of metal case.

▲ Means the bracket is used on the bottom of metal case.



<p>DB-01</p>		
<p>DB-02</p>		
<p>DB-03</p>		
<p>DB-04</p>		
<p>DB-05</p>		

<p>LB-01</p>		
<p>LB-02</p>		
<p>P-01</p>		
<p>P-02</p>		
<p>P-03</p>		

<p>FB-01</p>		
<p>FB-02</p>		
<p>FB-03</p>	